

LIND *SignSpring* ...for Outdoor!™



LIND **SignSpringGroup**™
Fabric Graphic Installation Systems

- A spin-off of Lind Media Company, operator of 1,600+ posters, bulletins and wallscapes in Ohio.
- A breakthrough system for installation of fabric graphics for billboards, banners, wallscapes and on-premise signage.
- Unequaled from the largest urban wallscapes & billboards to small 8-sheets, banners and P-O-P displays.
- SignSpring is the most durable and cost-effective fabric graphic installation system on earth.

THE STORY

- Lind Media knew it could develop a better system after experimenting with all vinyl and PE poster installation systems.
- We wanted a solution that was simple, durable and safe.
- We wanted No ratchets, gripper bars, cables, clips, tracks or tools of any kind.
- We wanted it to be Easy to train and retain installers.
- We quickly discovered that engineered spring and hook technology was far superior to all other methods.

SignSpring LIND ...for Outdoor!™



“We’ve installed, tested and are using Lind PosterSpring.

We've been trying to find something wrong with them. We Can't!

We love it and are converting our entire plant.”

Bill Durden, Jr,

-Durden Outdoor

LIND
PosterSpringTM
LIND SignSpring ...*For Outdoor!*



"PosterSpring has caused our productivity to skyrocket! We've converted 155 faces and can now install new ads in minutes. SignSpring durability keeps posters tight and fresh for months at a time."

Your product, service and support has been amazing. I highly recommend SignSpring at all OOH and sign companies."

**Evan Hartman
General Manager
Highway Displays Outdoor
Poughkeepsie, NY**

LIND
PosterSpring[™]
LIND SignSpring ...*for Outdoor!*

LIND
BannerSpring™
LIND SignSpring ...for Outdoor!

LIND
PosterSpring™
LIND SignSpring ...for Outdoor!



LIND
SignSpring ...for Outdoor!™

Simple: Patented spring & hook design.

Durable: 100% Stainless Steel. NO pulleys, plastic, cables, clips, gripper bars, tracks or tension bolts.

Easy: System installs easily. Install posters in 5 minutes or less!
Tight, flawless installations & quick easy change-outs.

Efficient: Use posters and vinyl from any vendor. Maximizes Man-Hours. 1 installer

Proven: Developed and used by billposters in extreme Great Lakes weather conditions for 12 years.

Picture Perfect: Hidden springs hold poster close to face.
Maintains infinite, consistent pressure around display surface.
No wind ripple, sags or wrinkles

Provides flawless appearance whether posting period is 4 weeks or 4 years

Cost Effective: The least expensive system to purchase, operate and maintain.

Ultra Eco-Friendly: Limited cuts and protrusions allow for easy poster re-use and rotation

SAFETY ADVANTAGE!



LIND
*SignSpring ...for Outdoor!*TM

- Keeps billposters on billboard fronts.
- Lighter loads & no tools keep hands free.
- Posters go directly from box to billboard. No prep required.
- No dropped tools, fiberglass shards, wasp nets or pocket water mosquitos.

COST ADVANTAGE: OPERATIONS AND FLEET EFFICIENCY

BIG personnel & vehicle cost savings!

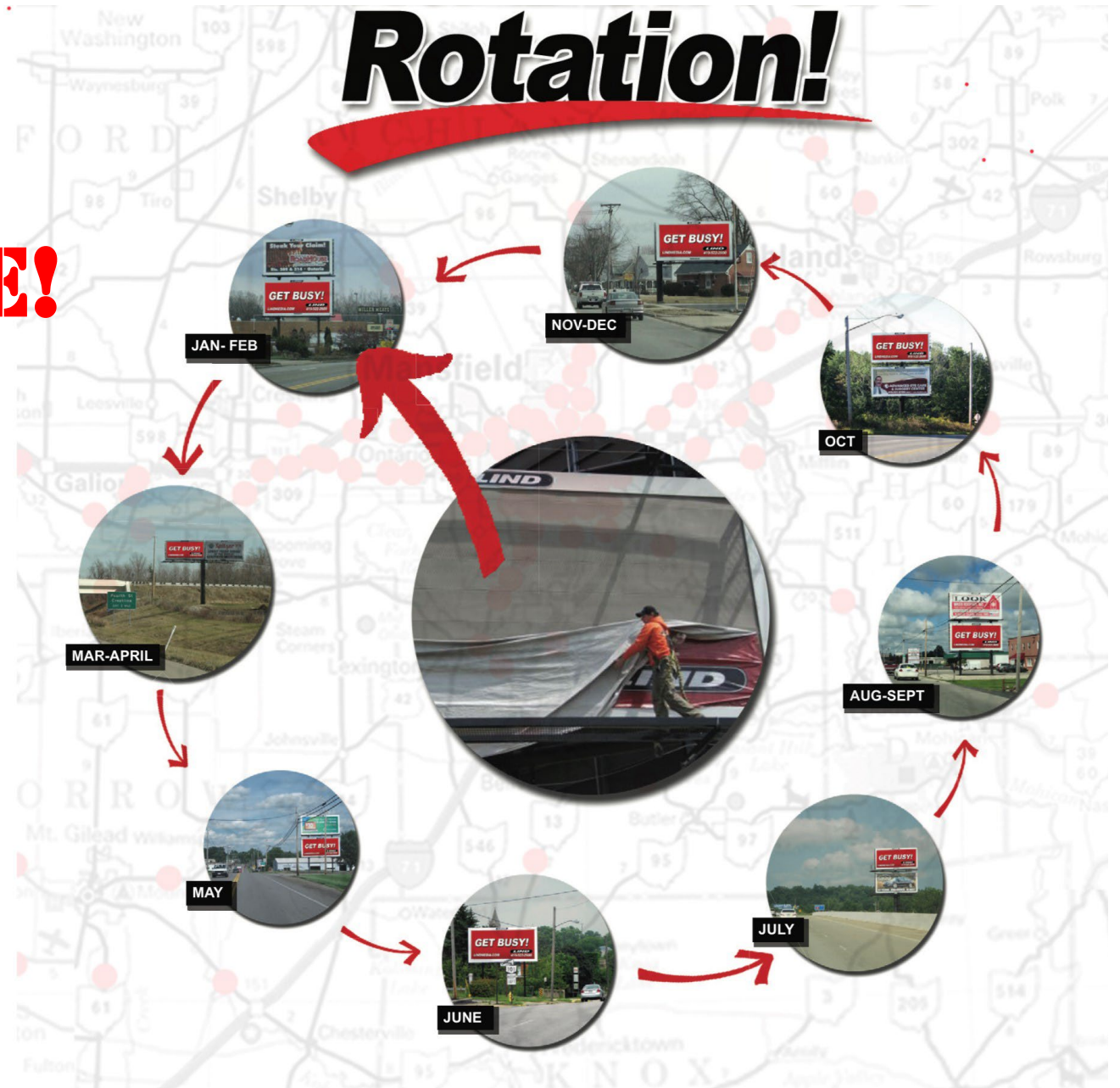
- No hardware, rods, tools or equipment means lighter loads & enable smaller fuel-efficient vehicles.
- Doubles and triples billposter productivity.
- Simplicity shortens training period and gets rookie installers productive asap.
- System of independent springs makes entire system inexpensive to buy, install & easy to maintain



LIND SignSpring ...for Outdoor!™

SALES ADVANTAGE: EASY POSTER ROTATION & RE-USE!

- Limited cuts and tension means vinyl and PE last much longer.
- Advertisers get larger reach, fresh eyeballs, lower production costs and better ROI.
- Flawless aesthetics. No other system comes close.
- Significant client and competitive advantage.



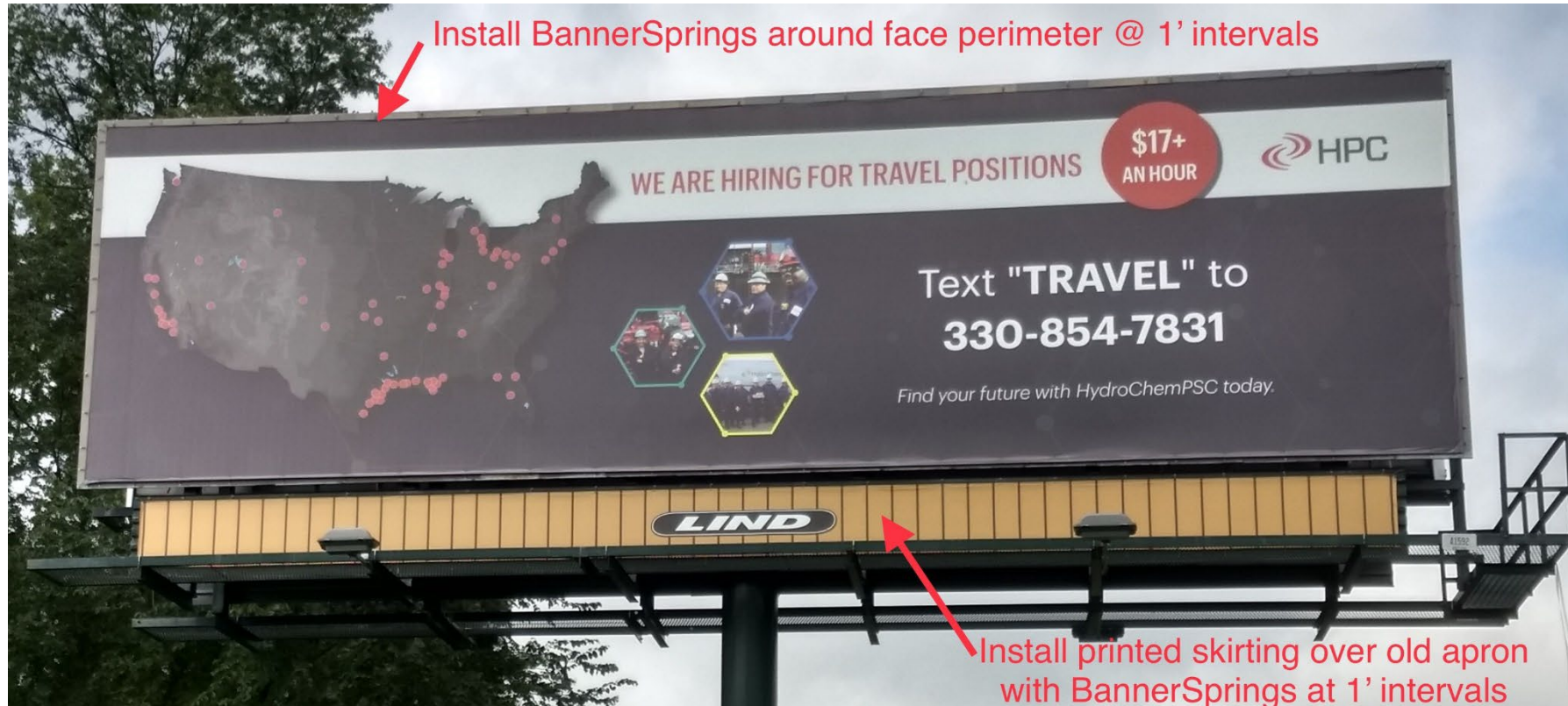


PosterSpring 6 for Jr 8-sheet posters



PosterSpring 3 for Retro posters

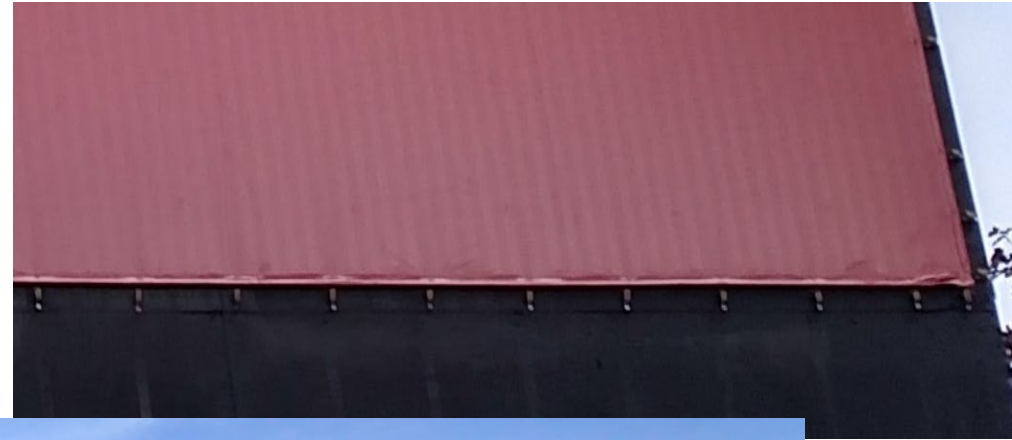




- ***Install springs directly to face perimeter or pre-install on board strips.***
- ***One installer, No Tools, No Hardware, No Wrinkles.***
- ***Trampoline simplicity, large billboard durability.***
- ***Tight, flawless installations & quick easy 1-man change-outs.***

Easy as 1-2-3

LIND
SignSpring ...for Outdoor!™





LIND
BannerSpring™

LIND SignSpring ...for Outdoor!

...on Bulletins



LIND
BannerSpring™
LIND SignSpring ... for Outdoor!

...on non-standard Bulletins



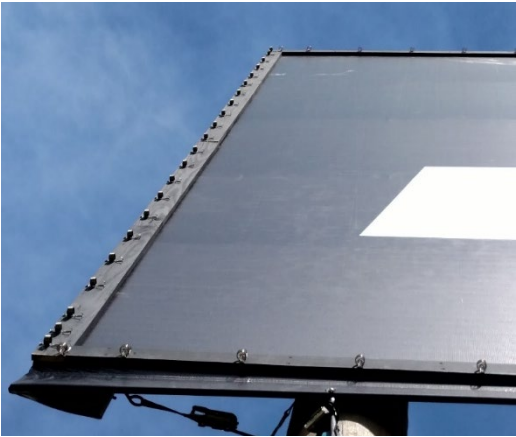
BannerSpring

Easy Bulletin Extensions



SignSpring ...for Outdoor!™

Wrap-BannerSpring Combo



LIND
BannerSpring™
LIND SignSpring ...for Outdoor!

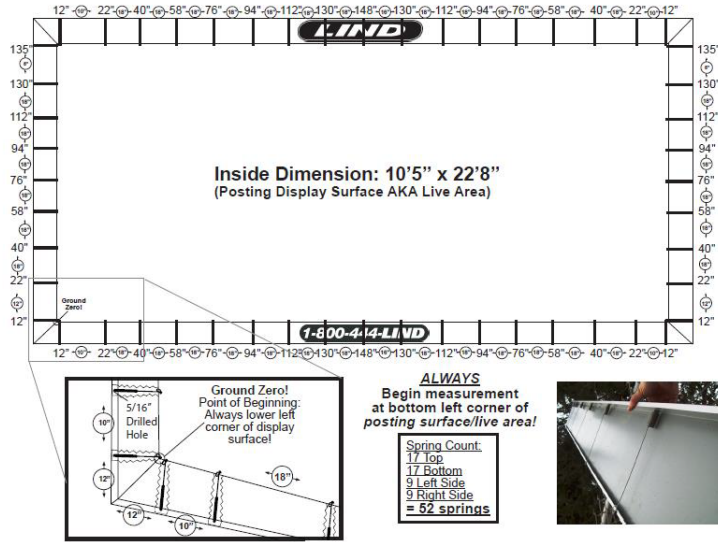
Wallsapes!



PosterSpring by LIND

SignSpring Division

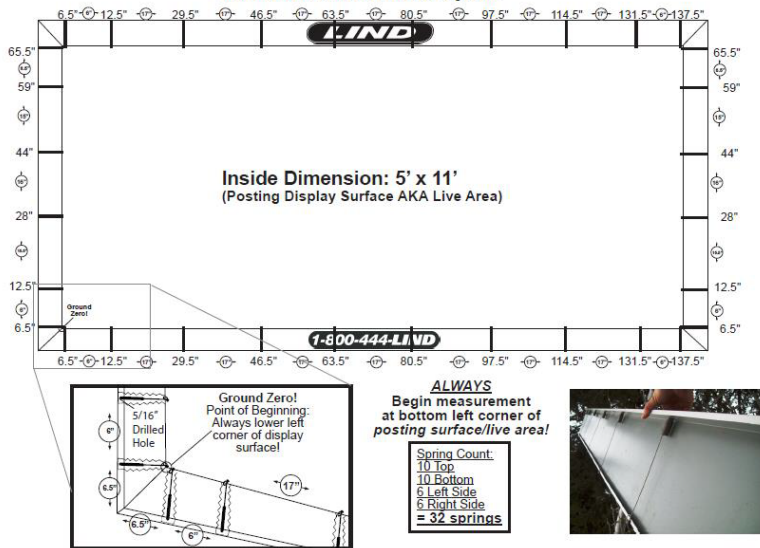
SINGLE SHEET BILLBOARD INSTALLATION SYSTEM



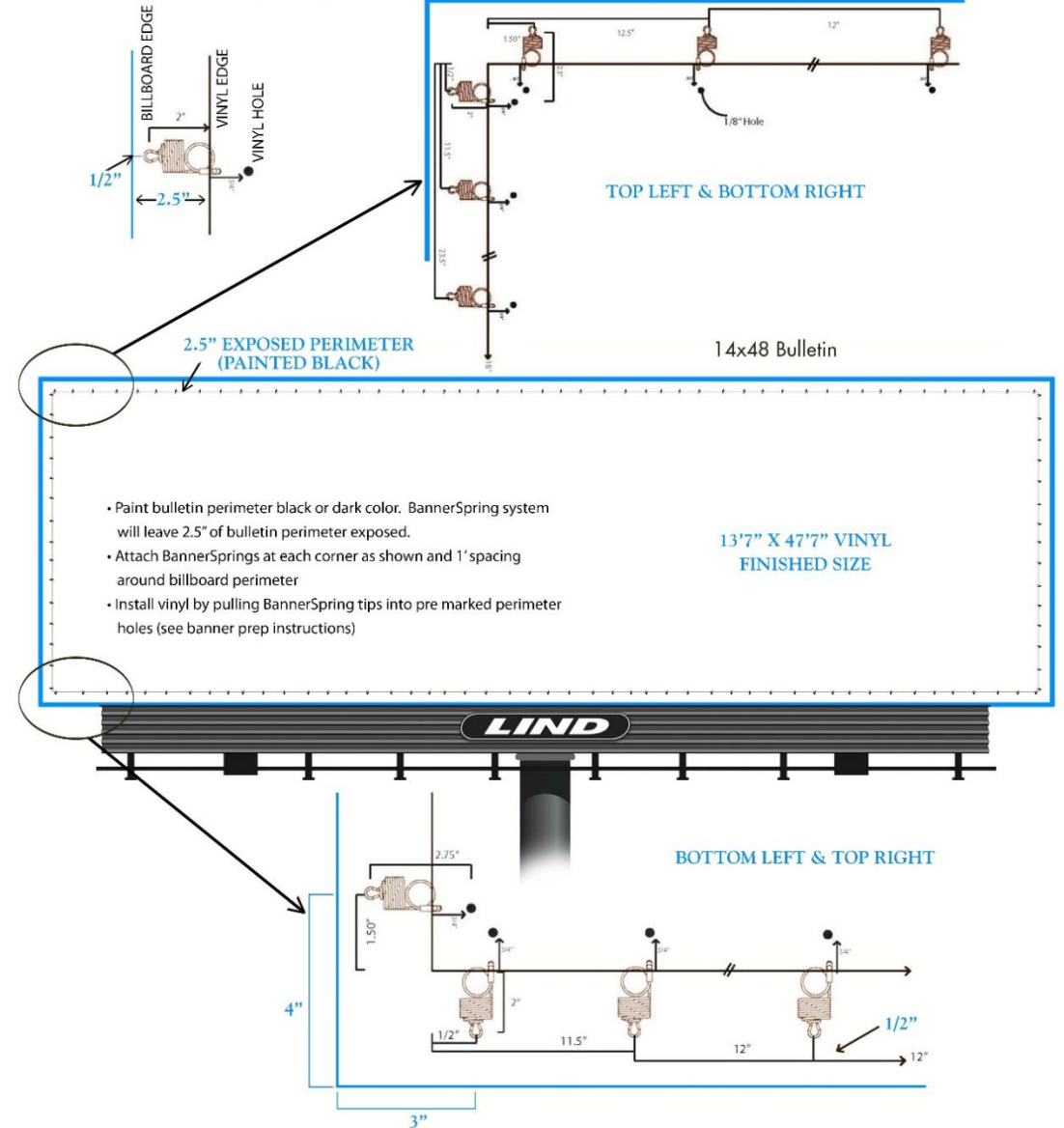
PosterSpring by LIND

SignSpring Division

8-Sheet Billboard Installation System



BannerSpring Outdoor Bulletin Installation Directions



Meet the Family

LIND BannerFrameCLASSIC™
SignSpringGroup



BannerFrameCLASSIC! The workhorse of the family. Simple and durable. Any size display, including huge multi story wallscapes and billboards. With or without cover sections, the best system on earth!

LIND BannerFrameDeluxe!
SignSpringGroup



BannerFrameDeluxe! An upscale alternative to BannerFrameClassic cover sections. Takes banner and wallscape displays to an entire new level!



LIND BannerFrameHINGE™
SignSpringGroup



BannerFrameHinge! Easy open & close cover sections. The absolute easiest way to install and changeout banners. Perfect for retail users with frequent content changeouts.

LIND BannerFrameFREESTAND™
SignSpringGroup



BannerFrameFREESTAND! Freestanding sign and banner solution shipped for direct-from-box installation. Accommodates all Banner Frame systems with the same durability and simplicity of all SignSpring products.

LIND BannerFrameFLEX™
SignSpringGroup



BannerFrameFLEX! Amazing solution for round and concave surfaces. Perfect for tanks, towers and any curved surface regardless of size!

LIND BannerFrameAIR™
No Surface? No Problem! SignSpringGroup



BannerFrameAIR! No Surface? No Problem! Solution for Open Air and uneven surfaces such as scoreboard backs, parking garage wall surfaces, stadium supports and more. BannerFrame Air provides a solid framing solution with rear windblock and front installations. Systems ship pre-measured and prepped for direct from box installation.

LIND BannerSpring™
SignSpringGroup



Lind BannerSpring! The Grand Daddy that revolutionized Fabric Graphic Installations! Simple, Durable, Flawless!

SignSpring... for Outdoor!



SignSpring for OUTDOOR! Developed for billboard companies by a billboard company! Exceptional solutions to boost efficiency, aesthetics and your bottom line!

BulletinFrame™

SignSpring ...for Outdoor!

Bye-Bye Ratchets & Rods!



Unwrap your Bulletins!

Simple!

- BulletinFrame ships prepped & loaded with Lind BannerSprings.***
- System & Vinyls go directly from box to billboard. No prep required.***
- Simply screw BulletinFrame sections into face perimeter.***
- Protects, preserves and strengthens billboard perimeter.***
- Flawless appearance, long-term durability & easy change-outs.***

Doubles & Triples installer efficiency!

- No hardware, rods or equipment means lighter loads.***
- No dropped tools, fiberglass shards, wasps or pocket water.***
- Simplicity gets rookie installers productive asap.***
- Independent springs makes system easy to buy, install & maintain.***

Competitive Advantage!

- Flawless aesthetics with easy installs, change-outs and rotation.***
- Versatility provides sales advantage over other OOH companies.***

SignSpringGroup™

Fabric Graphic Installation Systems

LindSignSpring.com

BulletinFrame™

SignSpring ... for Outdoor!



UnPack Lind BulletinFrame Sections.

Each system ships prepped and pre-measured for direct from box installation.



Install BulletinFrame around billboard perimeter. Install from the front or sides of your face. Simply use a cordless drill and your preferred wood or metal screw fastener.



Install vinyl. Pull Spring tips into vinyl perimeter



14'x 48' Lind BulletinFrame. Simple. Durable. Flawless!